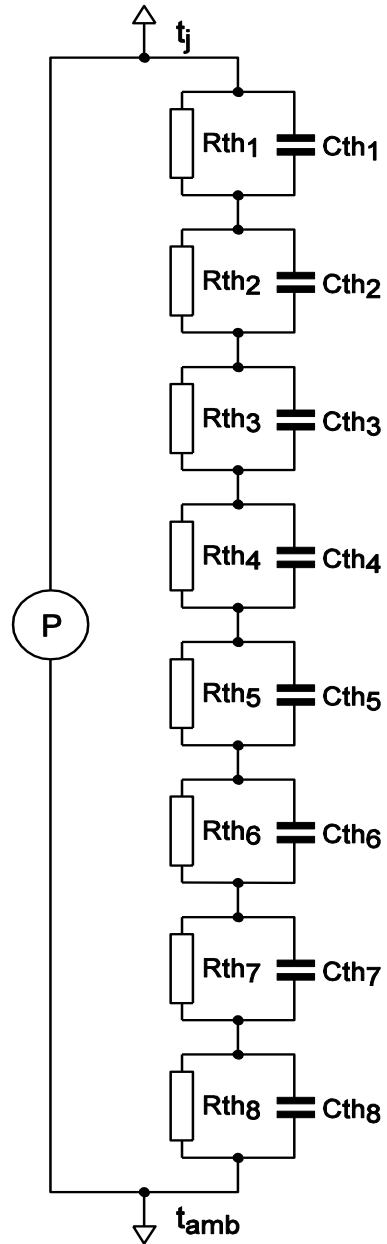


SPICE thermal model

BUK6226-75C

Symbol	Parameter	Conditions	Min	Typ	Max	Unit
$R_{th(j-mb)}$	thermal resistance from junction to mounting base		-	-	1.87	K/W

C_{th1}	1.500E-02 F
C_{th2}	2.404E-03 F
C_{th3}	6.002E-04 F
C_{th4}	1.499E-04 F
C_{th5}	3.743E-05 F
C_{th6}	9.347E-06 F
C_{th7}	2.334E-06 F
C_{th8}	5.828E-07 F
R_{th1}	1.175E+00 Ω
R_{th2}	5.070E-01 Ω
R_{th3}	1.370E-01 Ω
R_{th4}	3.700E-02 Ω
R_{th5}	1.000E-02 Ω
R_{th6}	2.733E-03 Ω
R_{th7}	7.407E-04 Ω
R_{th8}	2.007E-04 Ω



001aal768

Part: BUK6226-75C
 Version: 1
 Date: 7-7-2010
 Rth: 1.872008547